

INV-L10L DC to AC Inverter

4.5W , Non-Dimming Type (PCB Mountable)

DESCRIPTION :

DC/AC Inverter, low-noise, high frequency power sources developed for driving Cold Cathode Fluorescent Lamps operating at 20~80 kHz. These inverters are designed to handle a wide range of lamp characteristics.

FEATURES :

Constant current output ensures compatibility with a wide range of discharge lamps.

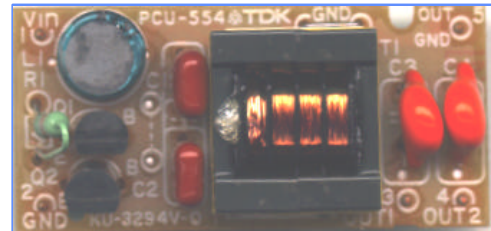
High efficiency resonant circuitry produces low-noise, sinusoidal-wave output.

One-lamp/two-lamp combined-use capability allows use in four different configurations.

Common ground or floating bulb configurations.

Compact size and light weight facilitate PC board mounting.

High Efficiency (80%)



TEMPERATURE & HUMIDITY :

Operating Temperature Range 0 °C ~ +60°C

Storage Temperature Range -30 °C ~ +85°C

Humidity 95 %RH max (No dew)

APPLICATION:

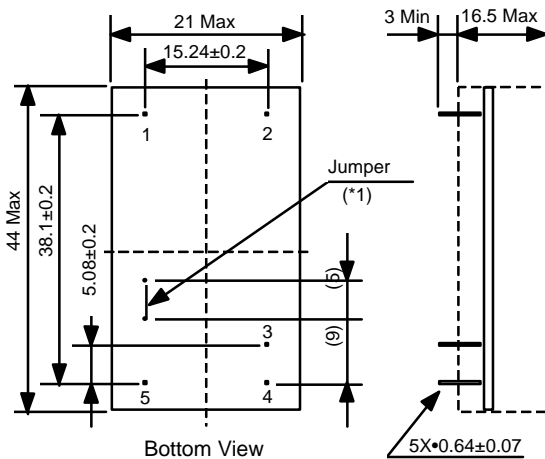
Systems using LCD displays.

Facimile machine reading function.

Portable data-collection terminals.

Automotive displays.

DIMENSIONS :



*1 Remove for Isolated Ground

Unit : mm

Pin	Symbol	Note
1	Vin	0 ~ 14.4 Vdc
2	GND	0 Vdc
3	lout1	
4	lout2	
5	lout-ret	

INV-L10L DC to AC Inverter

4.5W , Non-Dimming Type (PCB Mountable)

ELECTRICAL CHARACTERISTICS :

Parameters	Symbol	Conditions			Application	Specifications			Unit	Note
		Vin (V)	Ta (°C)	RL (kΩ)		min.	typ.	max.		
Output Current	Iout	12±1%	23±5	30	A	9	10	11	mA _{rms}	
						8	10	12		
Input Current	Iin	12±5%	0 ~ 50	22 ~ 38		-	0.32	0.5	Adc	
Frequency	FL					-	30	-	kHz	
Open Voltage	Vopen					∞	825	900	-	
Output Current	Iout	12±1%	23±5	50	B	5.2	6	6.6	mA _{rms}	
						4.6	6	7.2		
Input Current	Iin	12±5%	0 ~ 50	37 ~ 63		-	0.2	-	Adc	
Frequency	FL					-	35	-	kHz	
Open Voltage	Vopen					∞	825	900	-	
Output Current	Iout	12±1%	23±5	60	C	4.5	5	5.6	mA _{rms}	
						4	5	6.1		
Input Current	Iin	12±5%	0 ~ 50	45 ~ 75		-	0.18	-	Adc	
Frequency	FL					-	30	-	kHz	
Open Voltage	Vopen					∞	825	900	-	
Output Current	Iout1	12±1%	23±5	60	D	4.5	5	5.5	mA _{rms}	
	Iout2									
	Iout1	12±5%	0 ~ 50	45 ~ 75		4	5	6		
	Iout2					-	0.32	-	Adc	
Input Current	Iin					-	30	-	kHz	
Frequency	FL									
Open Voltage	Vopen	∞	825	900	-	V _{rms}				

APPLICATION

